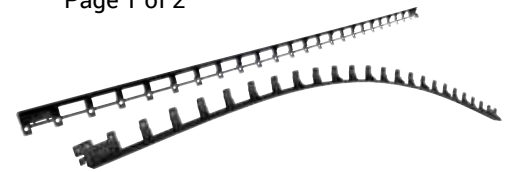




GATOR EDGE RIGID & FLEX
TDS Revision Date (dd/mm/yyyy): 24/01/2022

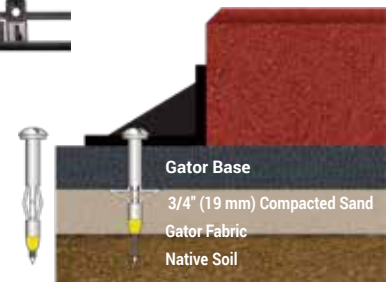


TECHNICAL DATA SHEET

Update: January 24, 2022
Make sure you have an updated data sheet on hand.
Canada and U.S. dial **1-855-847-7767** or (450) 624-1611

Description: **Gator Edge Rigid & Flex** are made with 100% Polypropylene Co-Polymer. This will give it great strength as well as provide great flexibility. We have a Rigid model which is ideal for straight applications and the Flex model that can be used for all curved applications such as walkways, paths, entrances etc. Both the **Rigid and Flex** can be locked together with the "Twist & Lock" system. Finally the Rigid could be transform in a partial Flex by cutting the bridge support between each triangular angles.

- Features:**
- The Flex can connect to the Rigid.
 - Use a "Twist & Lock" connection system.
 - Will not corrode.
 - Easy-to-use.
 - Available in flexible or rigid edges.
 - Xtra versatile.
 - Xtra robust system.
 - Xtra support strength.
 - UV resistant.
 - Comes in 8-ft lengths.
 - Use with [Gator Nails](#).
 - Use [Gator Base Screws](#) in [Gator Base](#) application.



For use on: **GATOR EDGE** is an excellent choice to help define alleys, driveways or sidewalks. **GATOR EDGE** is designed for straight or curved installation. It is especially easy to use and quick to install.

INSTALLATION INSTRUCTIONS:

1. It can be installed either before or after the paver installation.
2. Use one 10" nail every second hole and at every "Twist & Lock" junction, this will ensure continuous lateral support. Ensure edges are installed firmly against the pavers on a minimal compacted structural aggregate base of 6" (15 cm) deeper and wider on all sides than the paved area.
3. When using [Gator Base](#), use [Gator Base Screws](#) at every second hole and every Twist & Lock junction to ensure continuous lateral support. Ensure edges are installed firmly against the pavers. The [Gator Base](#) must be 6" (15 cm) wider on all sides than the paved area.

Packaging:

Product

Gator Edge Flex

- 1 piece = 8 linear feet
- 1 Mini-pack = 6 pieces = 48 linear feet
- 1 Master-pack = 4 Mini-packs = 192 linear feet
- 1 pallet = 28 Master-packs = 5,376 linear feet

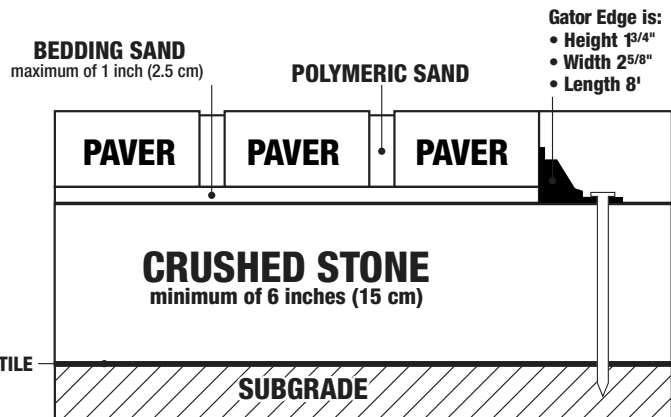
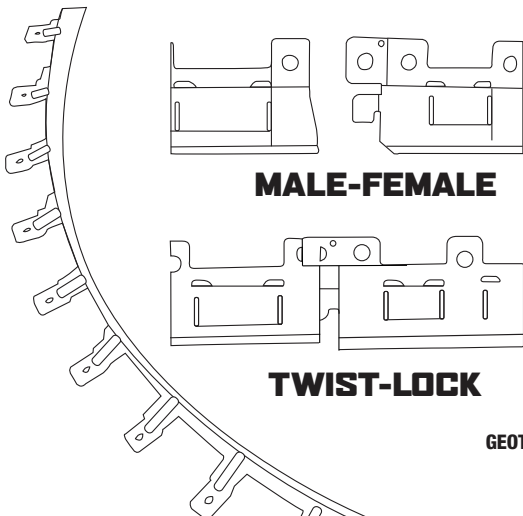
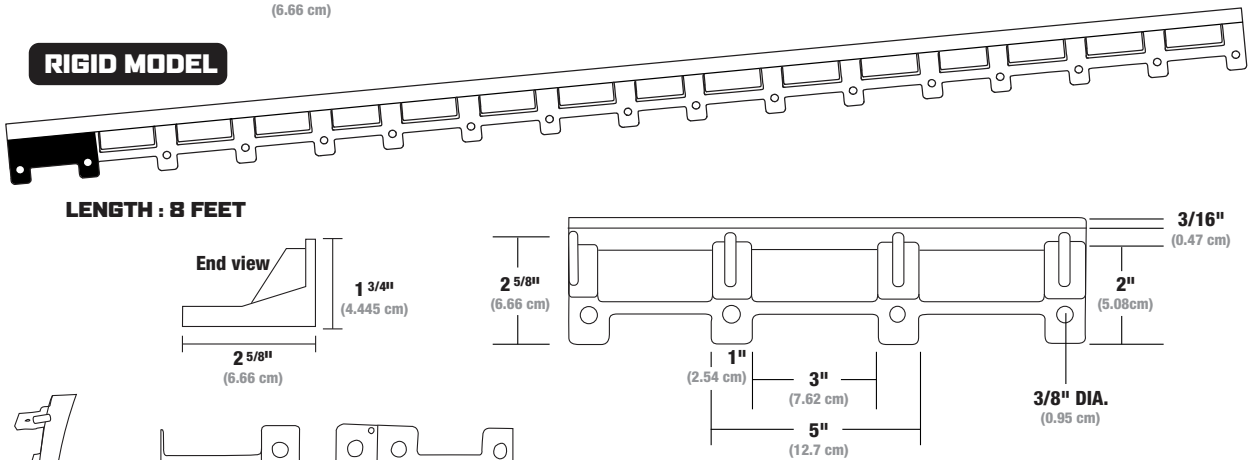
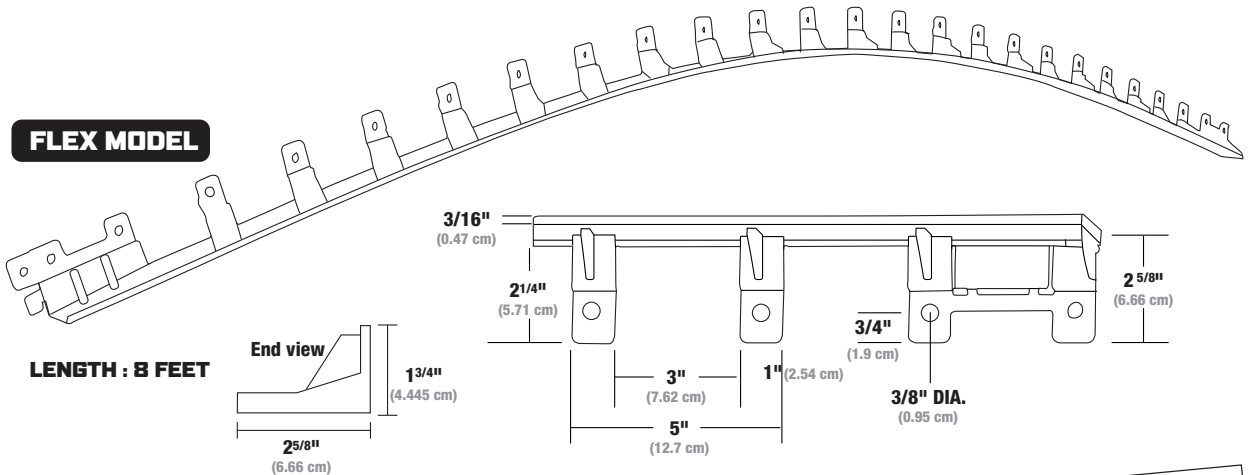
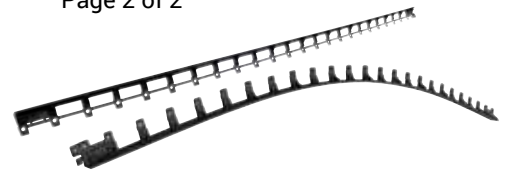
Gator Edge Rigid

- 1 piece = 8 linear feet
- 1 Mini-pack = 6 pieces = 48 linear feet
- 1 Master-pack = 4 Mini-packs = 192 linear feet
- 1 pallet = 28 Master-packs = 5,376 linear feet



Flexlock
1800 Berlier st. suite 200, Laval, Quebec, Canada H7L 4S4
Tel.: 450 624-1611 Fax : 450 624-1622 Toll free : 1 866-212-1611
www.flex-lock.com - E-mail : info@flex-lock.com

GATOR EDGE RIGID & FLEX
 TDS Revision Date (dd/mm/yyyy): 24/01/2022



- Gator Edge is:
- Height 1 3/4"
 - Width 2 5/8"
 - Length 8'

GATOR EDGE FLEX CAN CONNECT TO GATOR EDGE RIGID

